

**Tools**

Philips Screwdriver



Allen Key (supplied)



**Check List**

Familiarise yourself with the contents



Check there is nothing missing



Check you have all the tools required



Make room to assemble the product

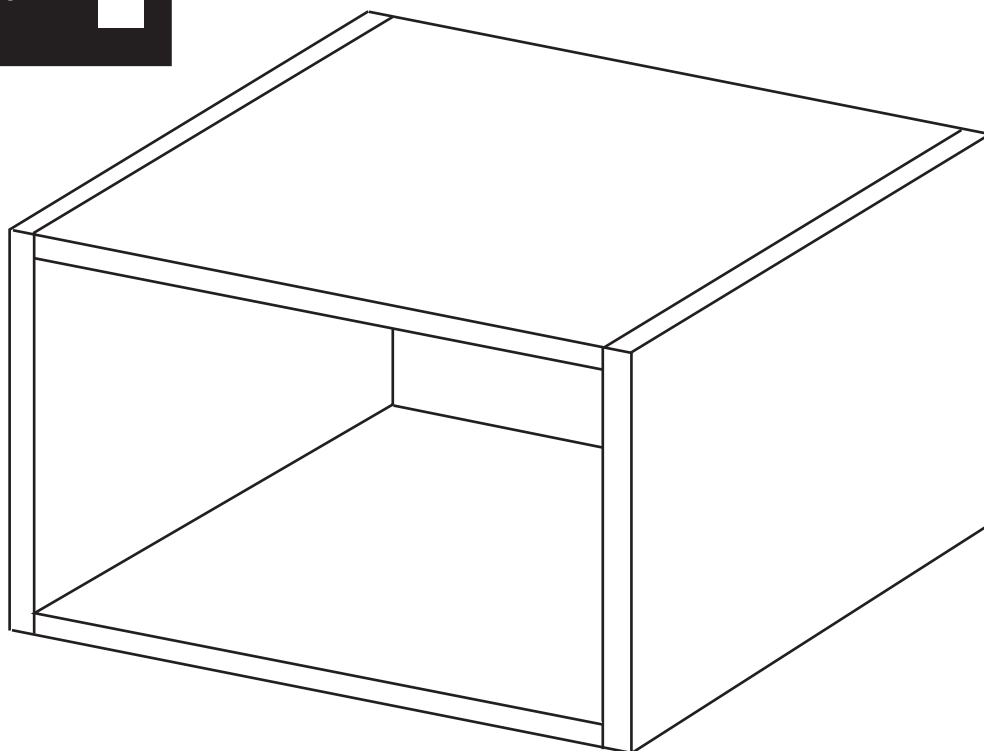


# Assembly Instructions

**BEECH DESK UNIT**

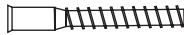

**Code: LADU**

**Before starting to assemble this unit please read the step by step assembly instructions carefully.**



**Contact Number  
0151 479 3030**

# Profile Education

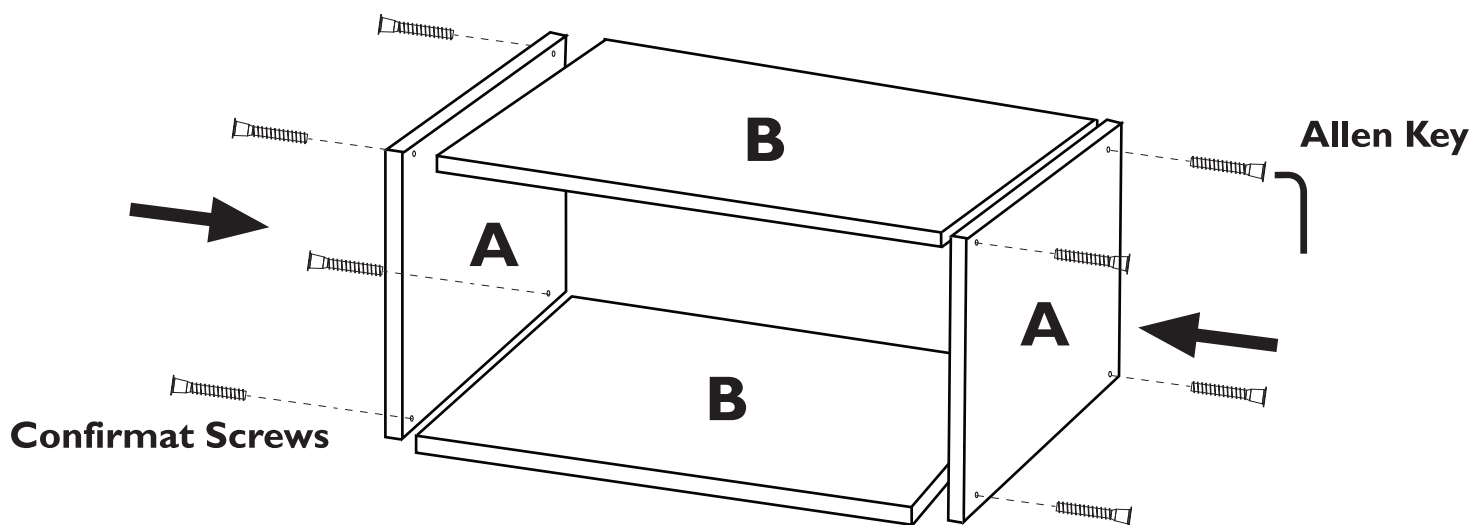
Components		Quantity
Confirmat Screws		8
Panel Pins		20
Foot Pads		4
Allen Key		1

Panels	Quantity	Size (mm)
	2	412x350mm
	2	580x350mm
	1	608x410x3mm

Contact Number  
**0151 479 3030**

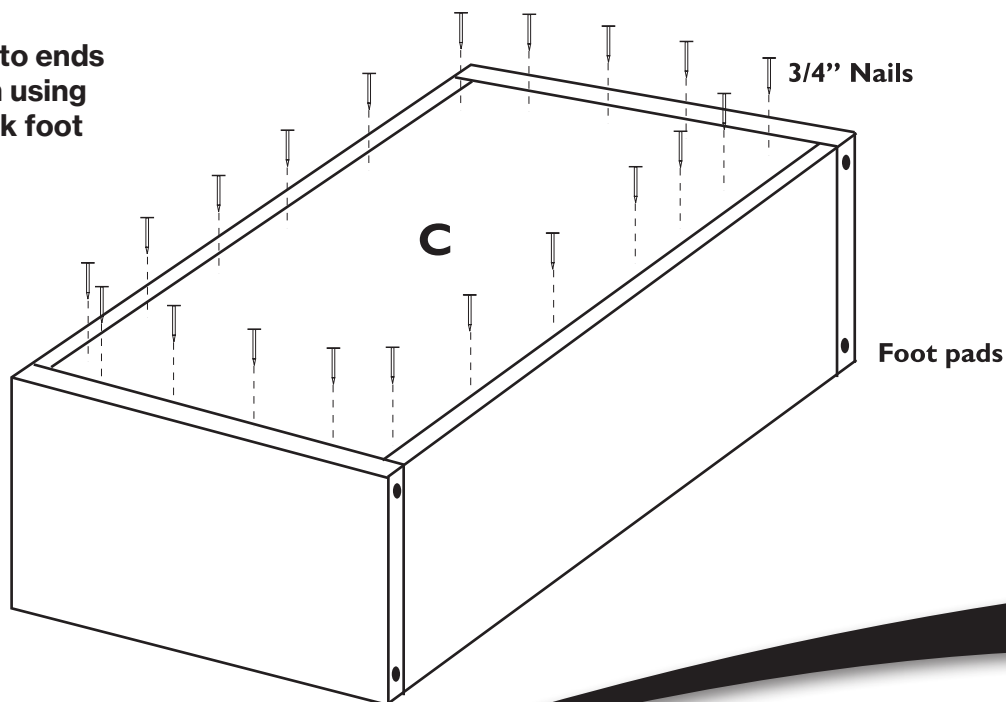
## Step 1

Secure ends A to top and bottom B using Confirmat Screws.

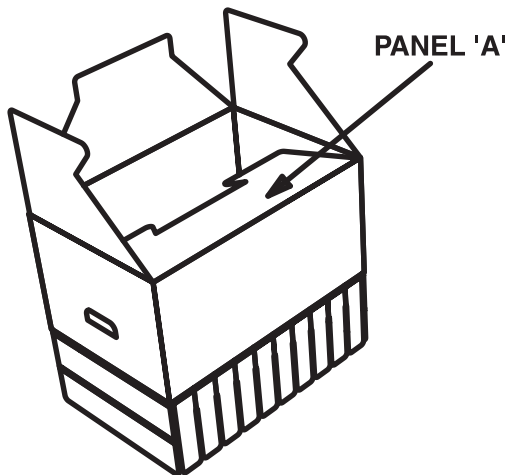


## Step 2

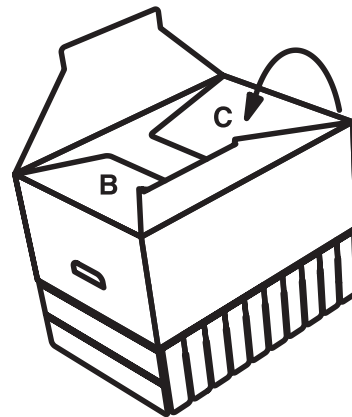
Secure back C to ends top and bottom using panel pins. Stick foot pads as shown.



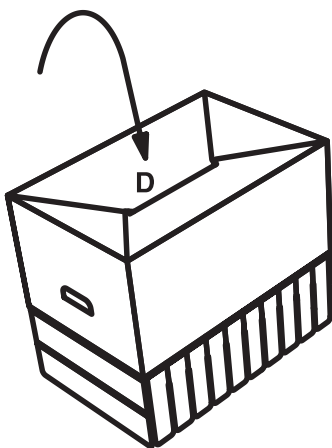
Contact Number  
**0151 479 3030**



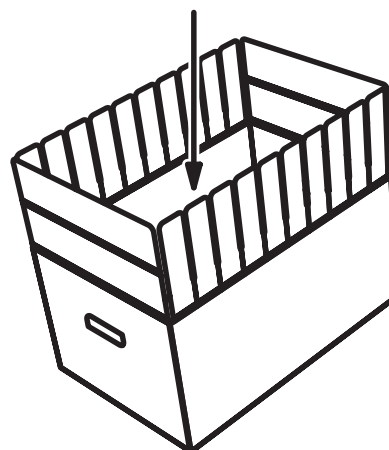
1. Position the carton so the base is accessible from the top. Fold flap 'A' towards the inside of the carton.



2. Fold flaps 'B' and 'C' over so that they interlock with flap 'A'.

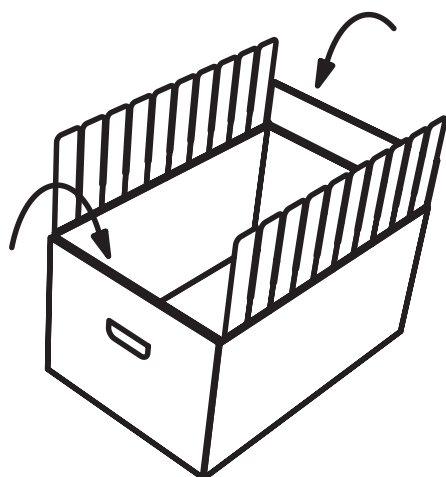


3. Fold Flap 'D' over, this will interlock all base flaps together.

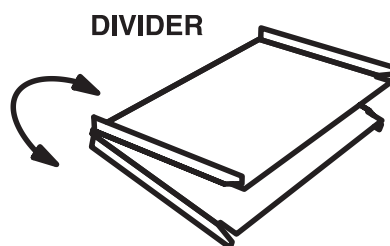


4. Turn carton 180°s and push the base flaps down from inside the carton to form a secure base.

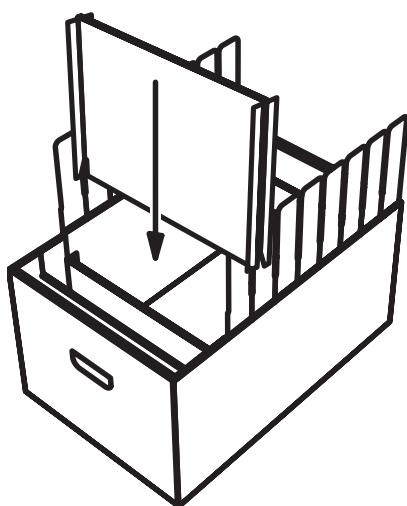
**Contact Number**  
**0151 479 3030**



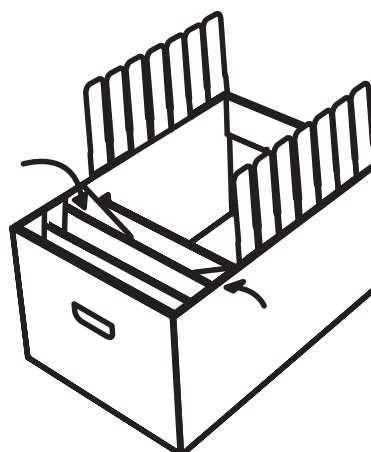
5. Fold over the end panels as shown.



6. Form dividers as shown.



7. Slide the dividers into place as shown.



8. Lock dividers into place by folding over each flap. Repeat process on all

**Contact Number**  
**0151 479 3030**