

Tools

Allen Key (supplied)

Check List

Familiarise yourself with the contents

Check there is nothing missing

Check you have all the tools required

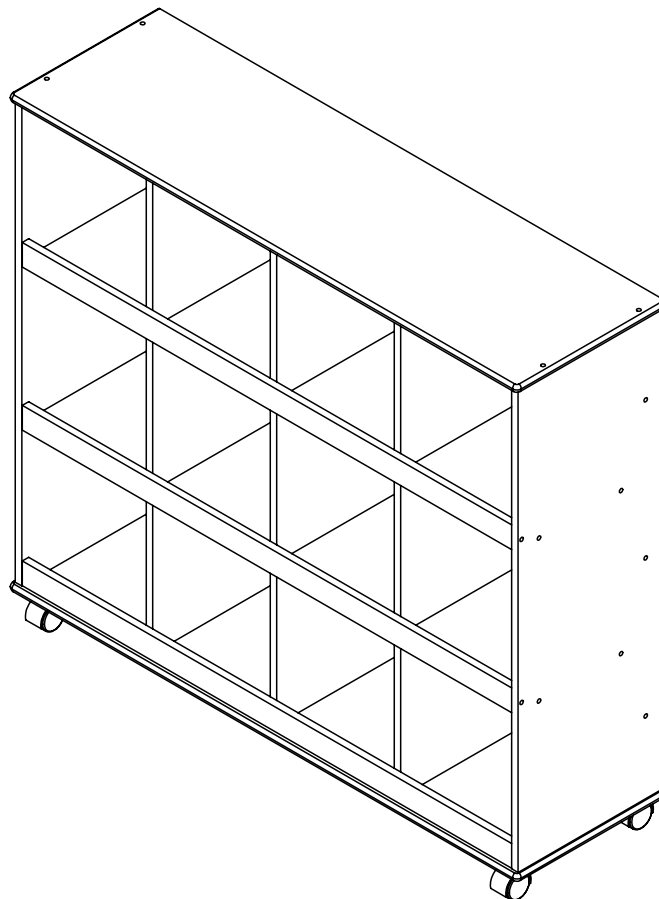
Make room to assemble the product

Assembly Instructions

BOOK DISPLAY AND STORAGE UNIT

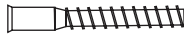
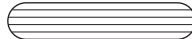




Code: MAPMAXRS

Before starting to assemble this unit please read the step by step assembly instructions carefully.




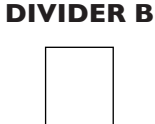






**Contact Number
0151 479 3030**

Profile Education

Components		Quantity
Confirmat Screws		50
30mm x 6mm Dowels		26
6x5/8" CSK Screw		16
Castor Lockable		2
Castor Freewheel		2
Allen Key		1
Glue		1

IMPORTANT Apply a small amount of glue in to dowel holes before dowels are inserted.

Contact Number
0151 479 3030

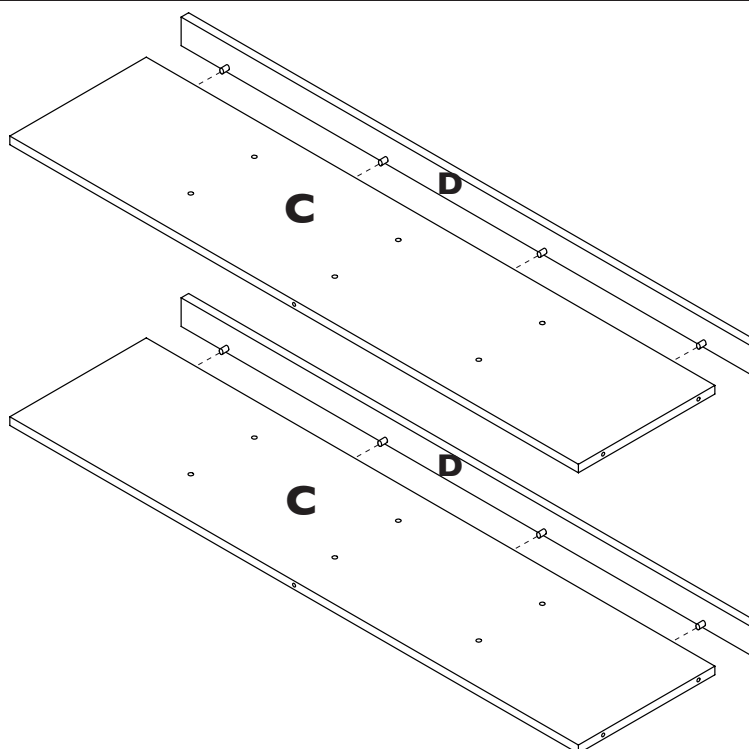
Panels	Quantity	Size (mm)
	2	975x340mm
	9	275x315mm
	2	1145x275mm
	2	1145x50mm
	1	1190x350mm
	1	1145x975mm
	1	1145x50mm
	1	1190x350mm

IMPORTANT Panels lettered for identification if spare part is required.
Please also state colour.

Contact Number
0151 479 3030

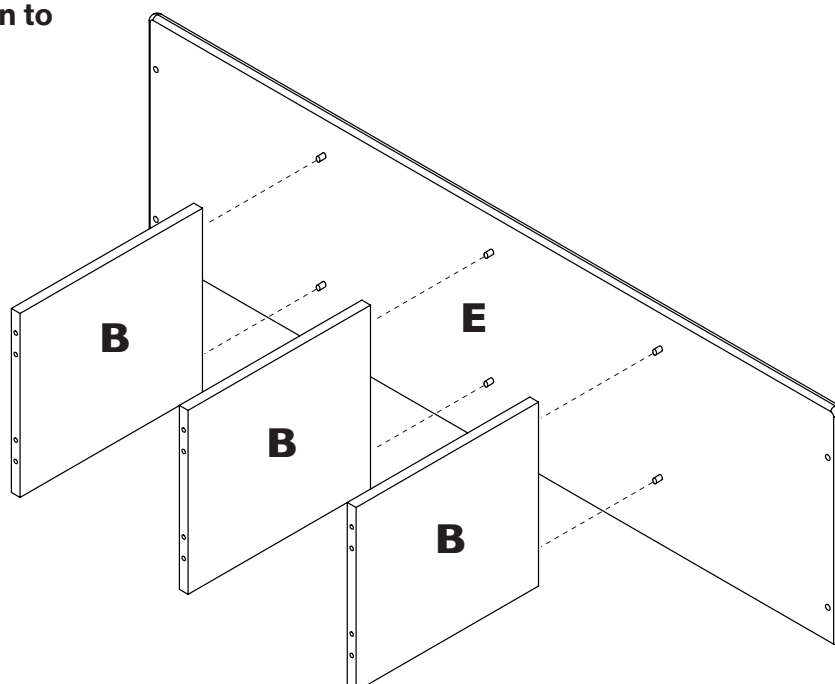
Step 1

Glue (4) dowels in to each front rail D. Push in to shelves C.



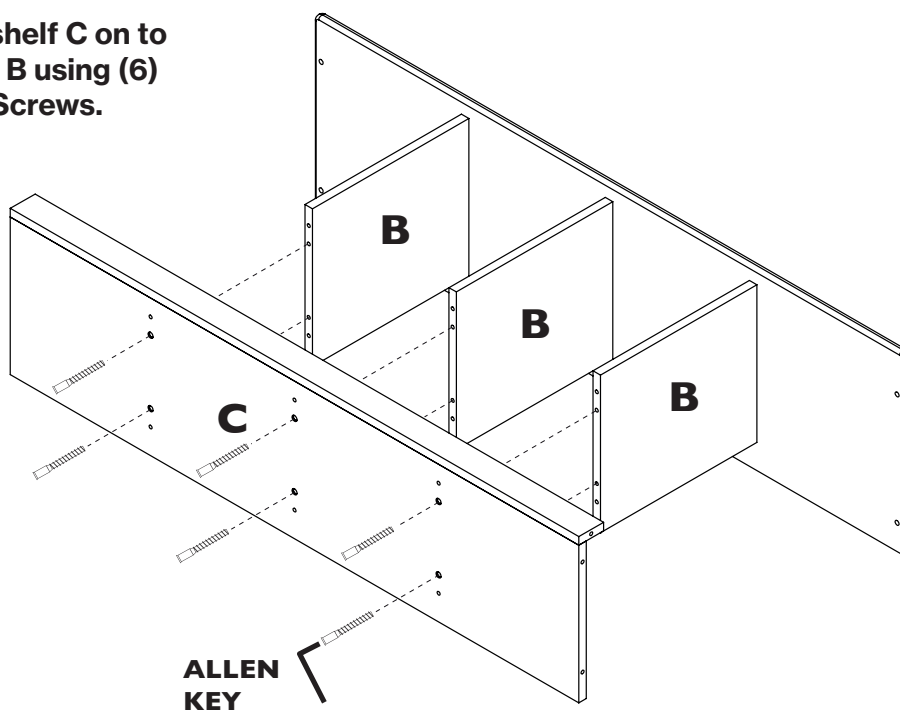
Step 2

Glue (6) dowels in to (1) top E. Push on to (3) dividers B.



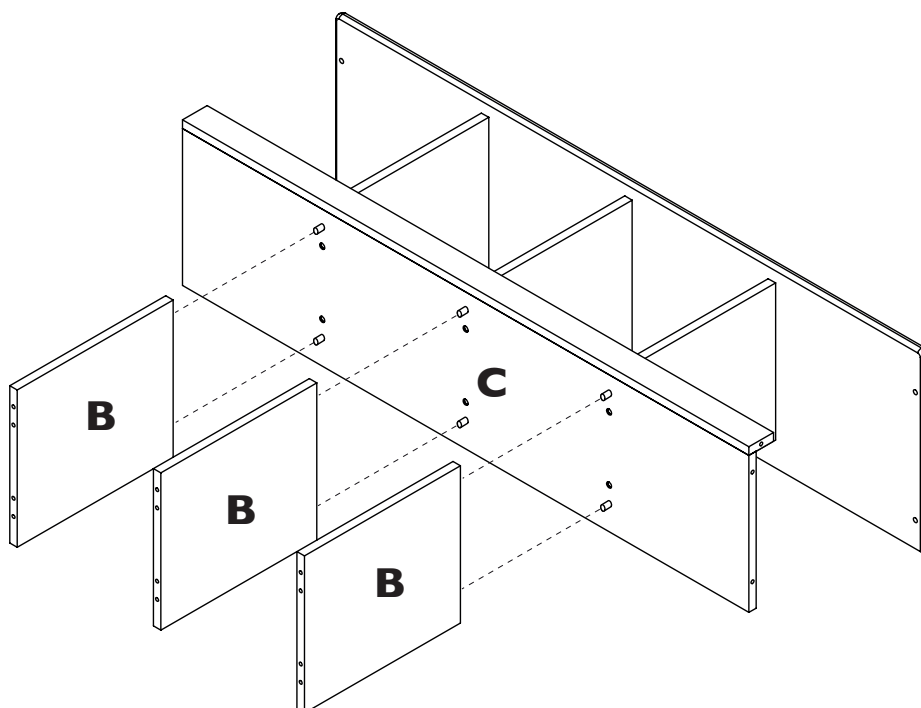
Step 3

Secure (1) shelf C on to (3) dividers B using (6) Confirmat Screws.



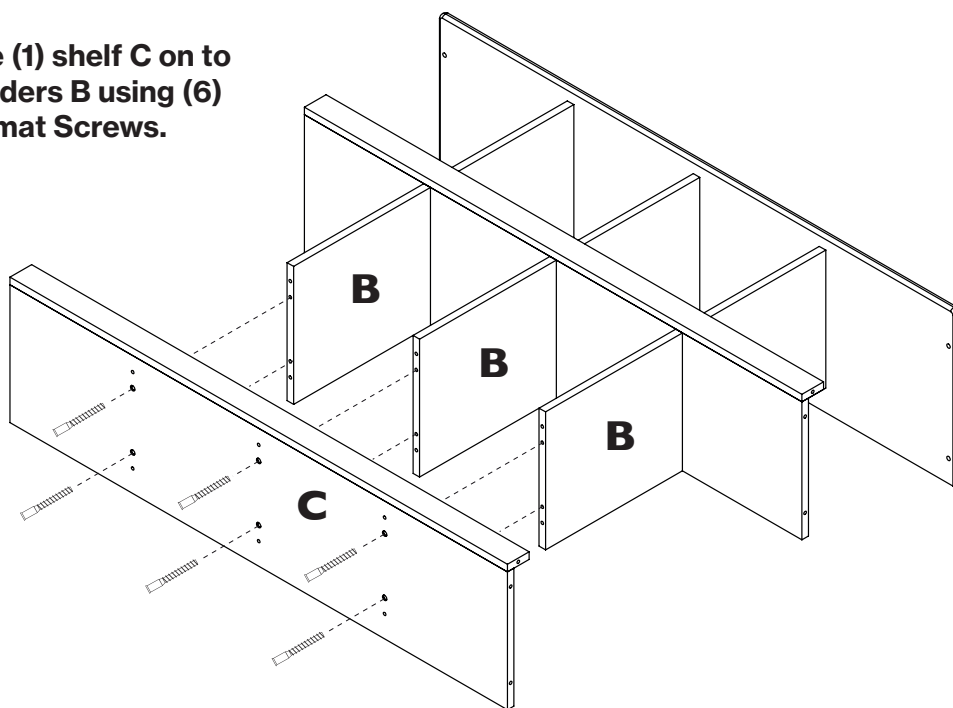
Step 4

Glue (6) dowels in to (1) shelf C. Push on to (3) dividers B.



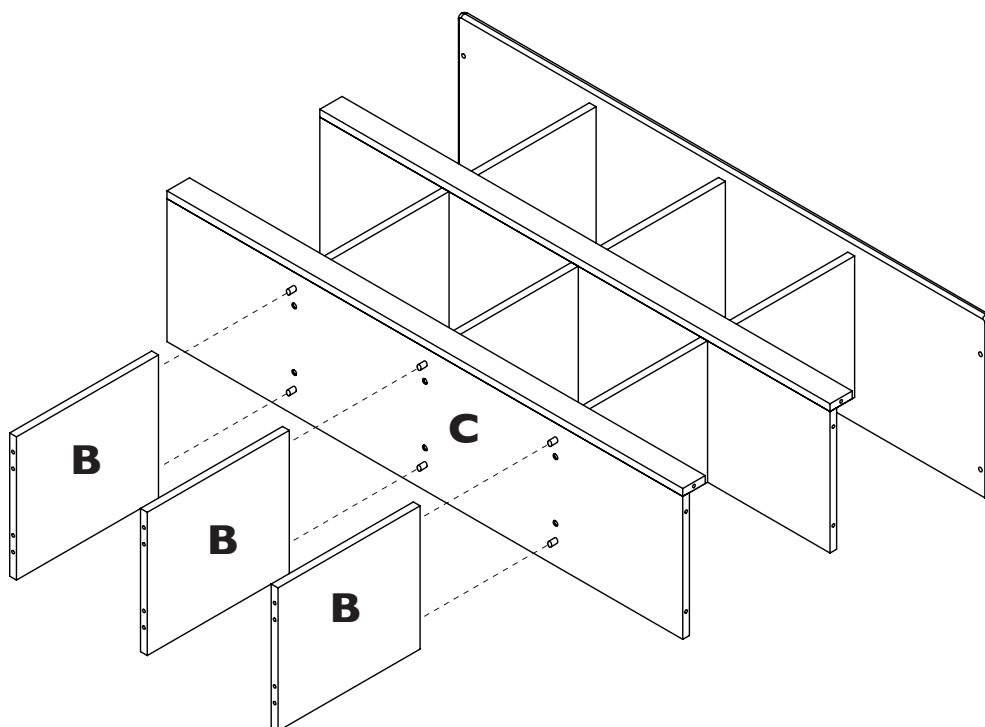
Step 5

Secure (1) shelf C on to (3) dividers B using (6) Confirmat Screws.



Step 6

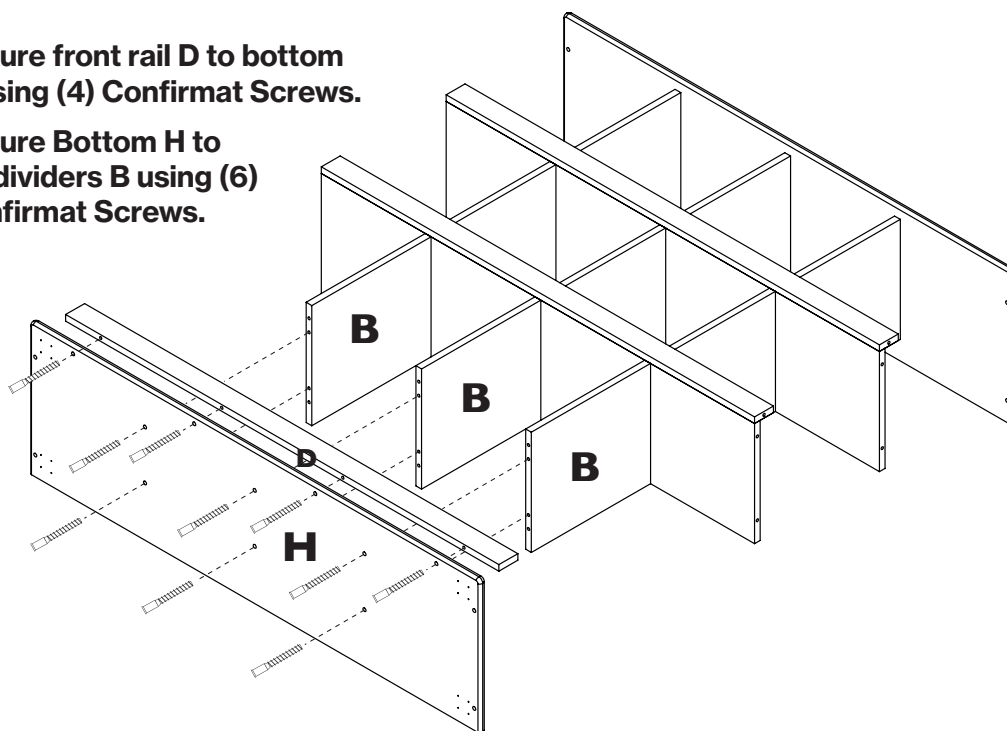
Glue (6) dowels in to (1) shelf C. Push on to (3) dividers B.



Step 7

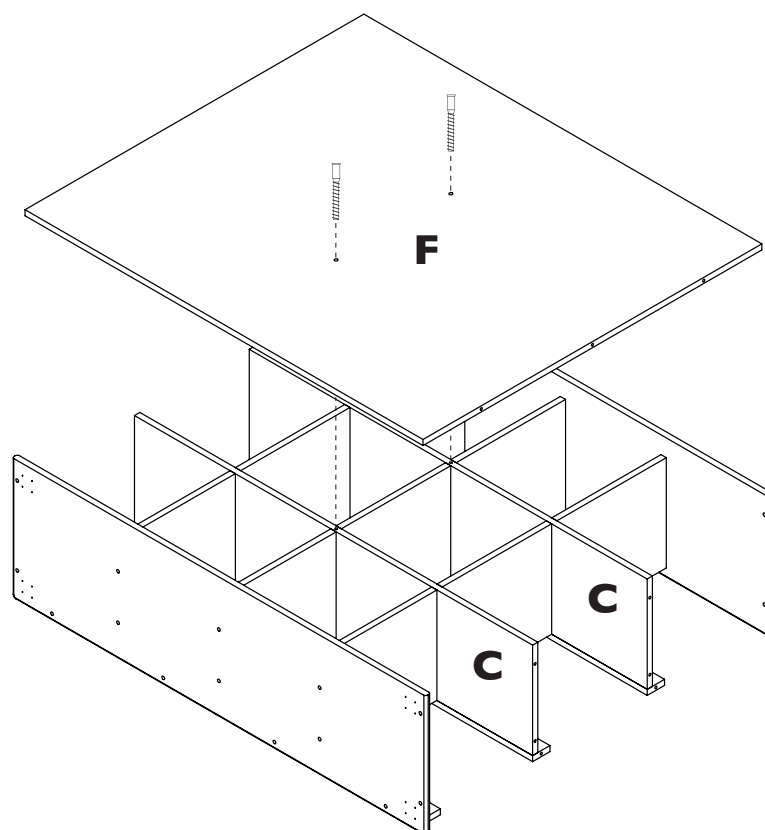
Secure front rail D to bottom H using (4) Confirmat Screws.

Secure Bottom H to (3) dividers B using (6) Confirmat Screws.



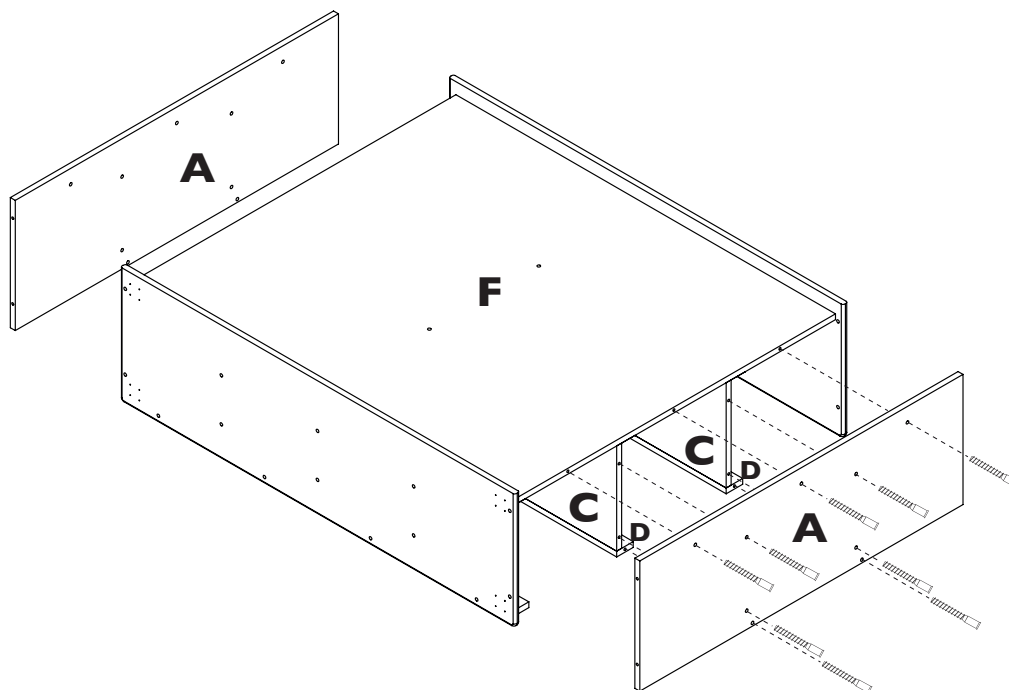
Step 8

Secure back F to shelves C using (2) Confirmat Screws.



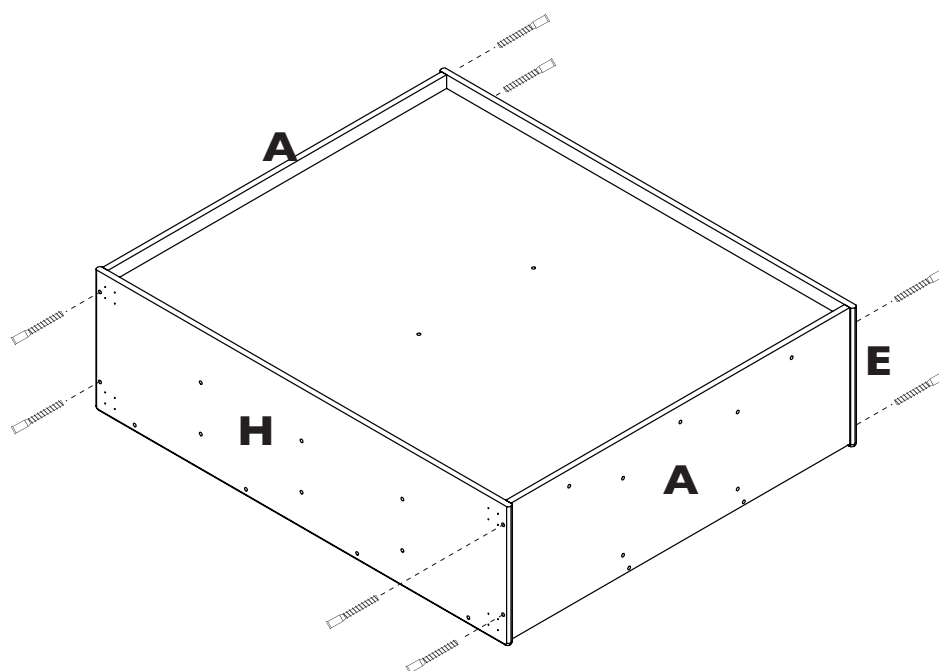
Step 9

Secure side A on to (2) shelf C, (2) front rail D and back F using (9) Confirmat Screws. Repeat for other side A.



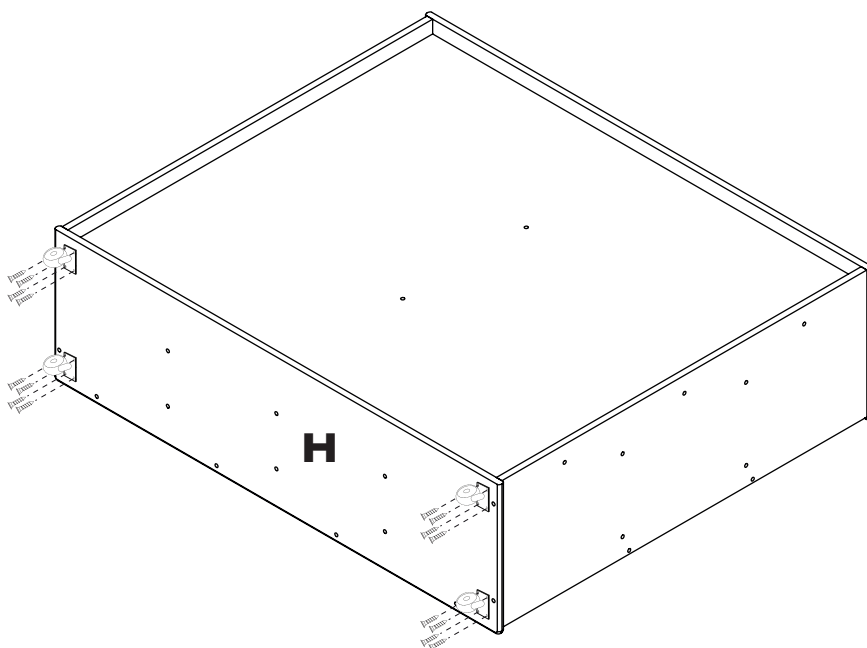
Step 10

Secure bottom F and top E to sides A using (8) Confirmat Screws.



Step 11

Secure castors to bottom H using (16) 6x $\frac{5}{8}$ " CSK Screws.
Position Castor Lockable under front rail D.



YOUR UNIT IS NOW COMPLETE

