

Tools

Allen Key (supplied)

Check List

Familiarise yourself with the contents

Check there is nothing missing

Check you have all the tools required

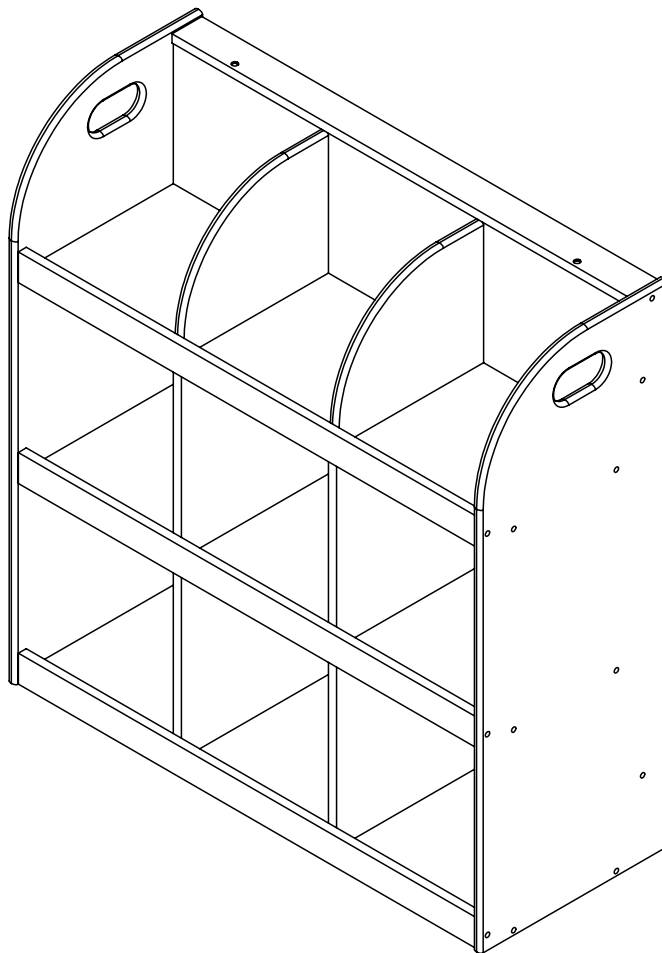
Make room to assemble the product

Assembly Instructions

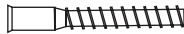
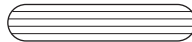

BOOK DISPLAY AND STORAGE UNIT

Code: MAPRSU

Before starting to assemble this unit please read the step by step assembly instructions carefully.

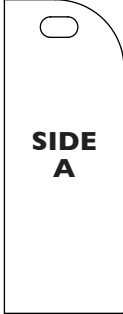
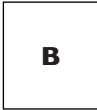




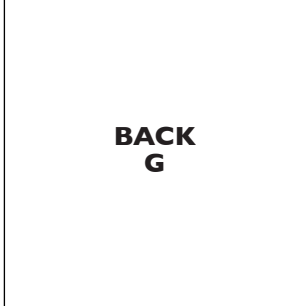


**Contact Number
0151 479 3030**

Components		Quantity
Confirmat Screws		38
30mm x 6mm Dowels		25
Allen Key		1
Glue		1

IMPORTANT Apply a small amount of glue in to dowel holes before dowels are inserted.

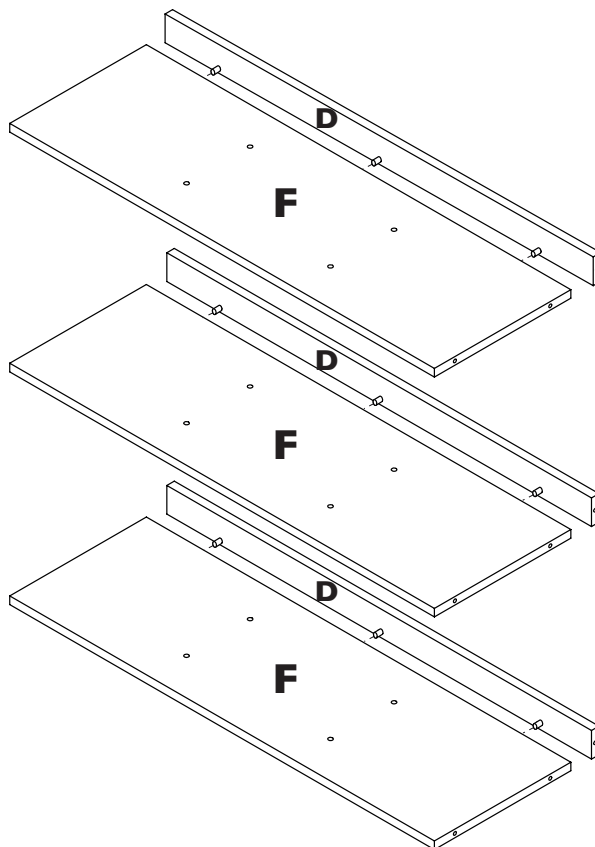
Contact Number
0151 479 3030

Panels	Quantity	Size (mm)
	2	350x917mm
DIVIDER 	4	275x310mm
CURVED DIVIDER 	2	275x228mm
FRONT D 	3	855x50mm
TOP PANEL E 	1	855x56mm
SHELF F 	3	855x275mm
BACK G 	1	855x894.50mm

IMPORTANT Panels lettered for identification if spare part is required.
Please also state colour.

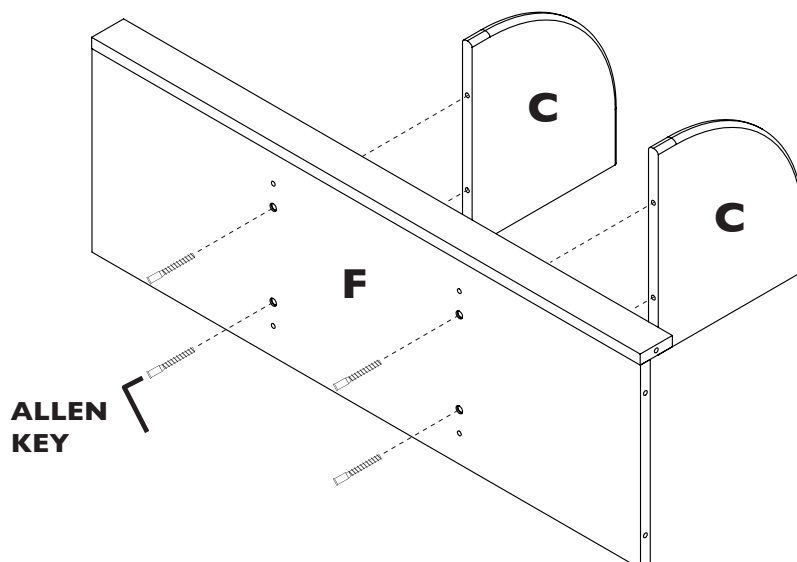
Step 1

Glue (3) dowels in to each front D. Push in to (3) shelves F.



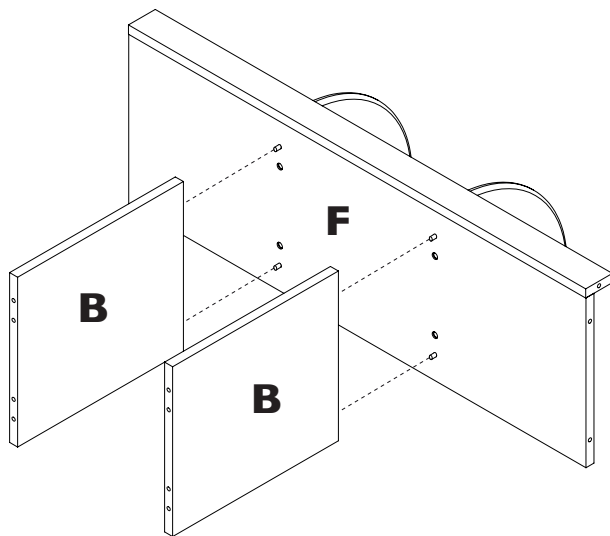
Step 2

Secure (1) shelf F on to curved dividers C using (4) Confirmat Screws.



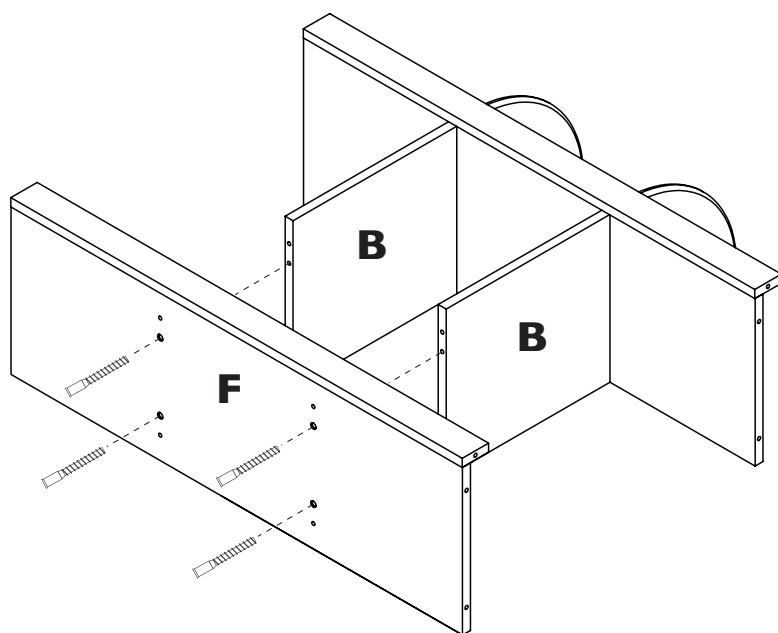
Step 3

Glue (4) dowels in to (1) shelf F. Push on to (2) dividers B.



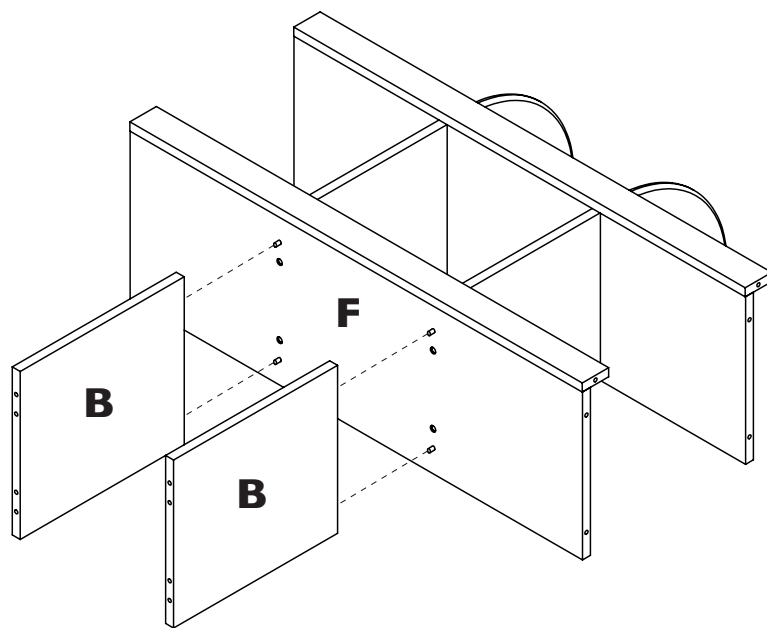
Step 4

Secure (1) shelf F on to (2) dividers B using (4) Confirmat Screws.



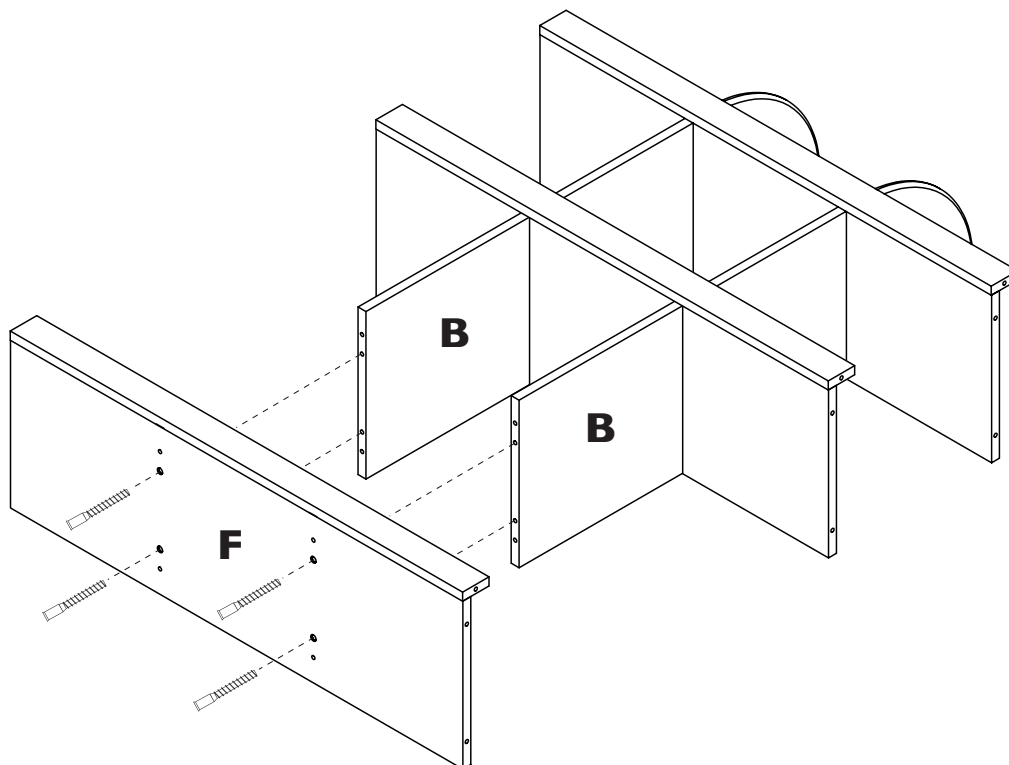
Step 5

Glue (4) dowels in to (1) shelf F. Push on to (2) dividers B.



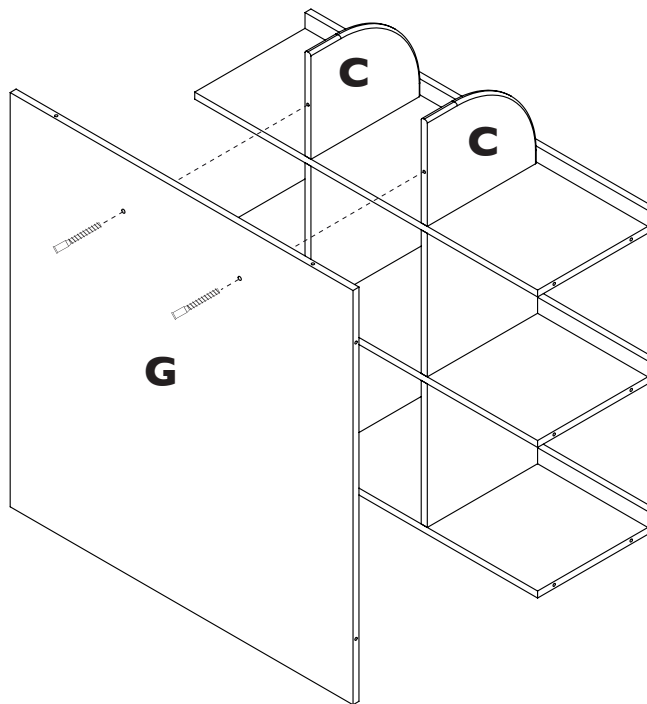
Step 6

Secure shelf F to dividers B using (4) Confirmat Screws.



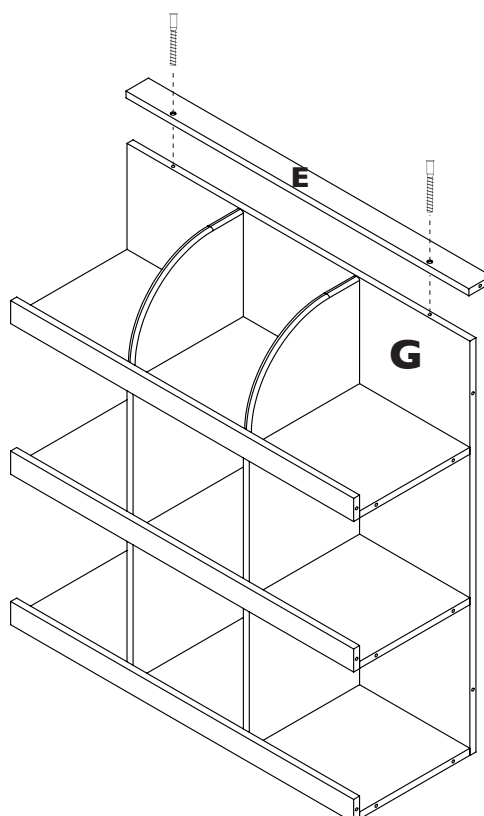
Step 7

Secure back G on to curved dividers C using (2) Confirmat Screws.



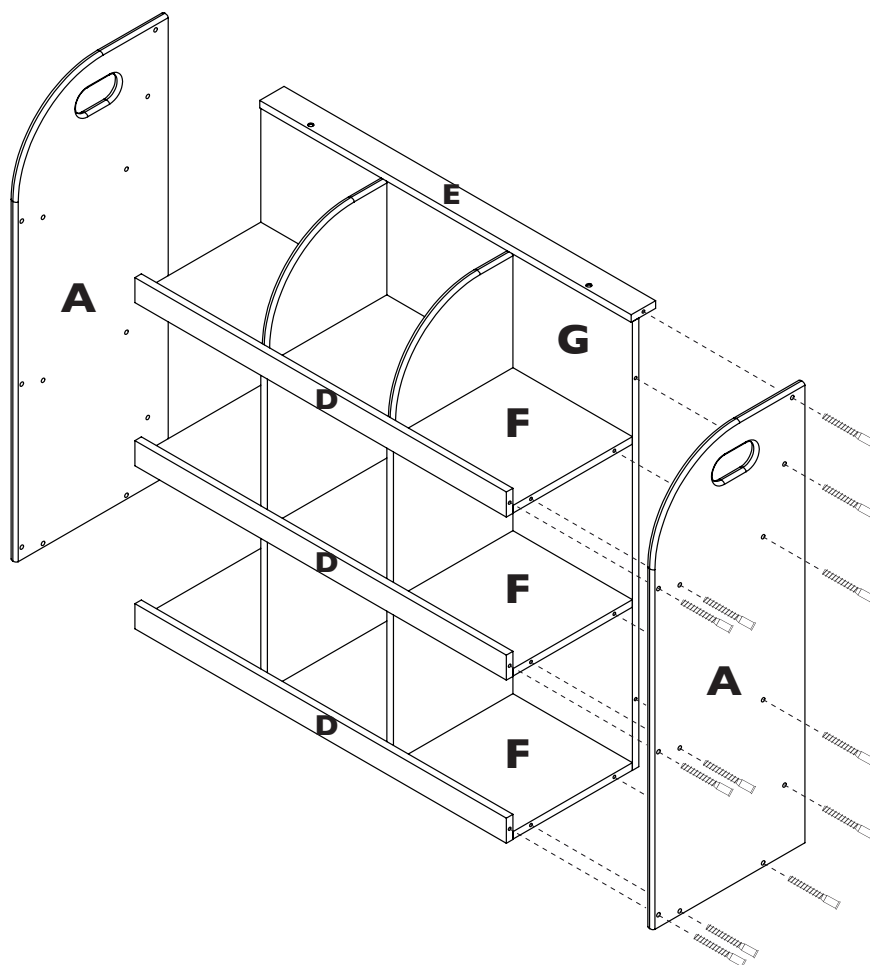
Step 8

Secure top panel E on to back G using (2) Confirmat Screws.

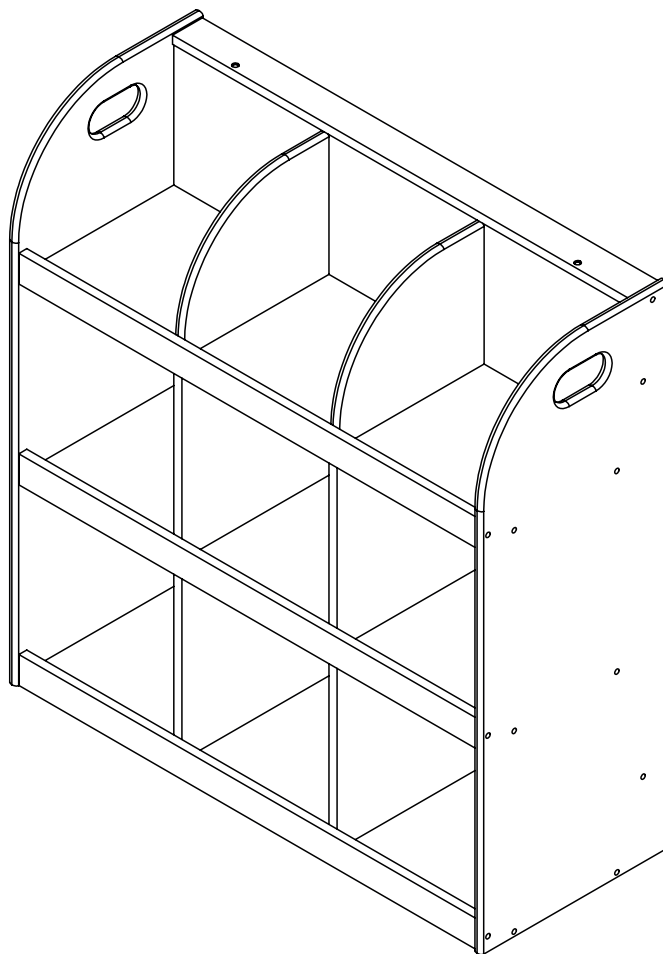


Step 9

Secure side A on to (3) front D, top panel E, (3) shelf F and back G using (12) Confirmat Screws. Repeat for other side A.



YOUR UNIT IS NOW COMPLETE



**Contact Number
0151 479 3030**